



Since 1977

凱美塑膠機械股份有限公司  
KAI MEI PLASTIC MACHINERY CO., LTD.



## ***PBS-905D-VS-TRL, QL, FL***

>> SINGLE STATION WITH DOUBLE DIE HEAD MULTI-LAYER BLOW MOLDING MACHINE

>> 單模架雙模頭多層中空成型機 (伺服比例控制閥)



TÜV Rheinland certified



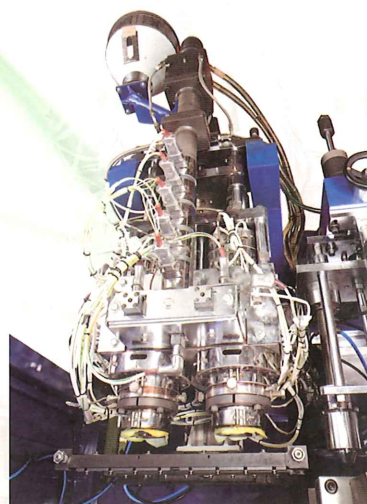
# PBS-905D-VS-TRL, QL, FL

## ◀ SINGLE STATION WITH DOUBLE DIE HEAD MULTI-LAYER BLOW MOLDING MACHINE

Powerful crank-type mold clamping system combined with Germany linear motion guides ways provides maximum stability for clamping motions. Multiple extruding mechanisms enable the machine produce various materials of products such as pesticide bottles, oil tanks, food (milk and mayonnaise) and chemical containers. Upon request, the machine is available to equip with various optional equipment such as see-through window and multiple die heads, etc. Fully automatic, high efficiency production can be achieved when auto deflashing device and robot are employed.

## ◀ 單模架雙模頭多層中空成型機 (伺服比例控制閥)

強力曲肘式鎖模機構結合德國滾珠線性滑軌設計，穩定性高，搭配多重押出機構。可生產多層次原料產品，如農藥瓶、油箱、食品(如牛奶瓶，美乃滋)及各種化學產品之容器，另可依客戶需求增加特殊設計如透明視窗、多模頭...等，配合打溢料設備及機械手，可全自動高效率生產。



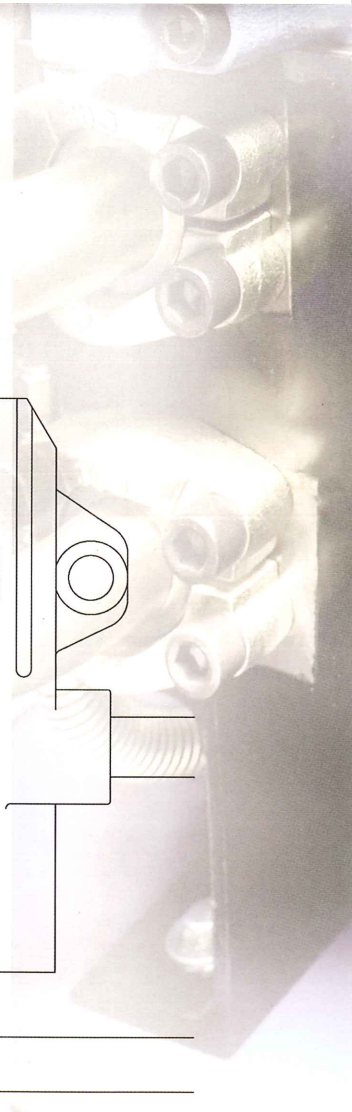
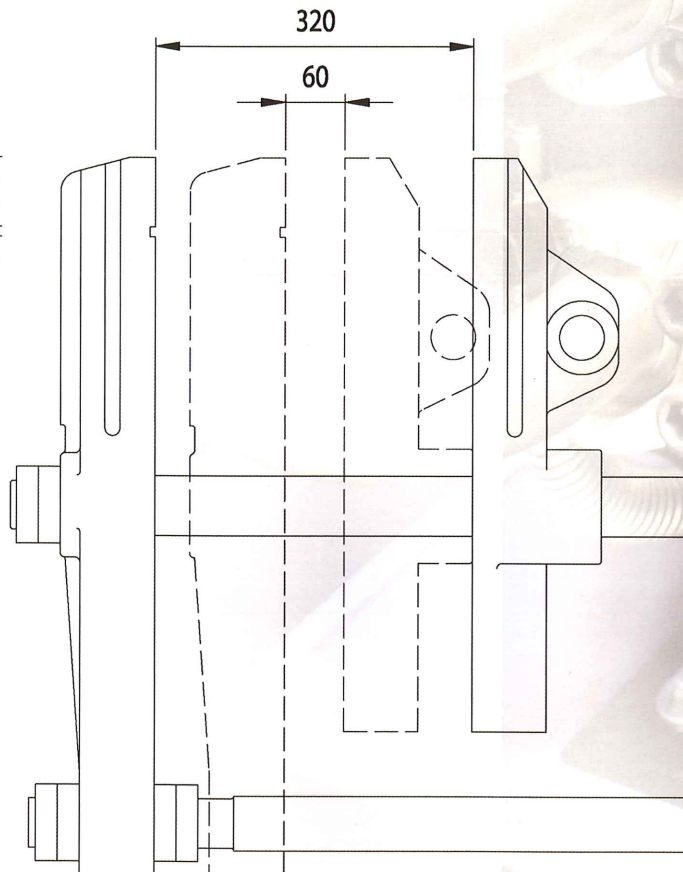
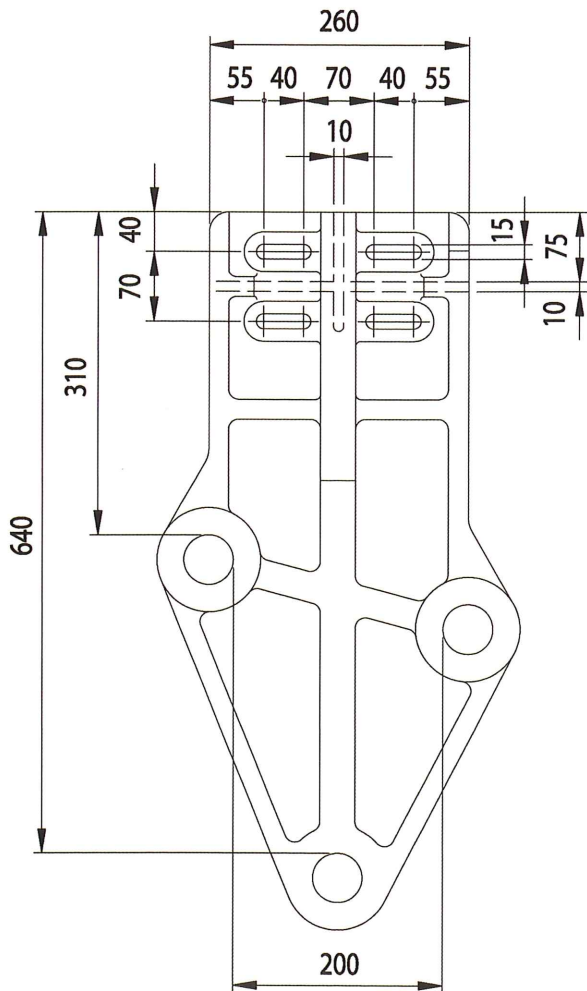
# SPECIFICATIONS

MODEL NO. 型號	UNI 單位	PBS-405S-TRL	PBS-405D-TRL	PBS-405S-QL	PBS-405D-QL	PBS-405S-FL	PBS-405D-FL
Mould center distance 模中心距	mm		120		120		120
Product max. capacity 最大產品容量	C.C.	80-1000	80-400	80-1000	80-400	80-1000	80-400
Min./Max. dia. Of product 產品直徑	mm	30-100	20-80	30-100	20-80	30-100	20-80
		PE, ADHESIVE, EVOH	PE, ADHESIVE, EVOH	PE, PE, ADHESIVE, EVOH	PE, PE, ADHESIVE, EVOH	PE, ADHESIVE, EVOH	PE, ADHESIVE, EVOH
Screw Diameter 螺桿直徑	mm	45, 30, 30	45, 30, 30	35, 40, 30, 30	35, 40, 30, 30	45, 30, 30	45, 35, 30
Screw L/D Ratio 螺桿比例		24/1, 26/1, 24/1	24/1, 26/1, 24/1	24/1, 24/1, 26/1, 24/1	24/1, 24/1, 26/1, 24/1	24/1, 26/1, 24/1	24/1, 26/1, 24/1
Inverter Motor 變頻馬達	HP	10, 5, 5	10, 5, 5	5, 7.5, 5, 5	5, 7.5, 5, 5	10, 5, 5	10, 5, 5
Capacitor for barrel 料管電容量	KW	3.8, 1.8, 1.65	3.8, 1.8, 1.65	2.4, 1.8, 1.65	2.4, 1.8, 1.65	3, 1.8, 1.65	3.8, 2.5, 1.8
Screw Speed 螺桿轉速	r.p.m	20-65	20-65	20-65	20-65	20-65	20-65
Extruding capacity 押出量	Kg/hr	24	24	24	24	24	24
Capacitor for die head 模頭電容量	KW	3.5	4.8	3.8	5.2	4	5.7
Clamping Force 鎖模力	Ton	4.6	4.6	4.6	4.6	4.6	4.6
Hydraulic Drive Motor 驅動馬達	HP	5	5	5	5	5	5
Air Pressure 空氣壓力	Kg/cm	6-8	6-8	6-8	6-8	6-8	6-8
Air Consumption 空氣消耗量	L/min	500	500	500	500	500	500
Total Electric Power 總電量	KW	30	31	36	37	29	33
Average Energy Consumption 平均消耗量	KW	24	25	29	30	24	26
Machine N.W. 機械淨重	Kg	2,700	2,700	2,700	2,700	2,700	2,700
Machine G.W. 裝箱淨重	Kg	3,200	3,200	3,200	3,200	3,200	3,200

PBS - 405 series

模板尺寸圖

MOLD PLATE DIMENSIONS



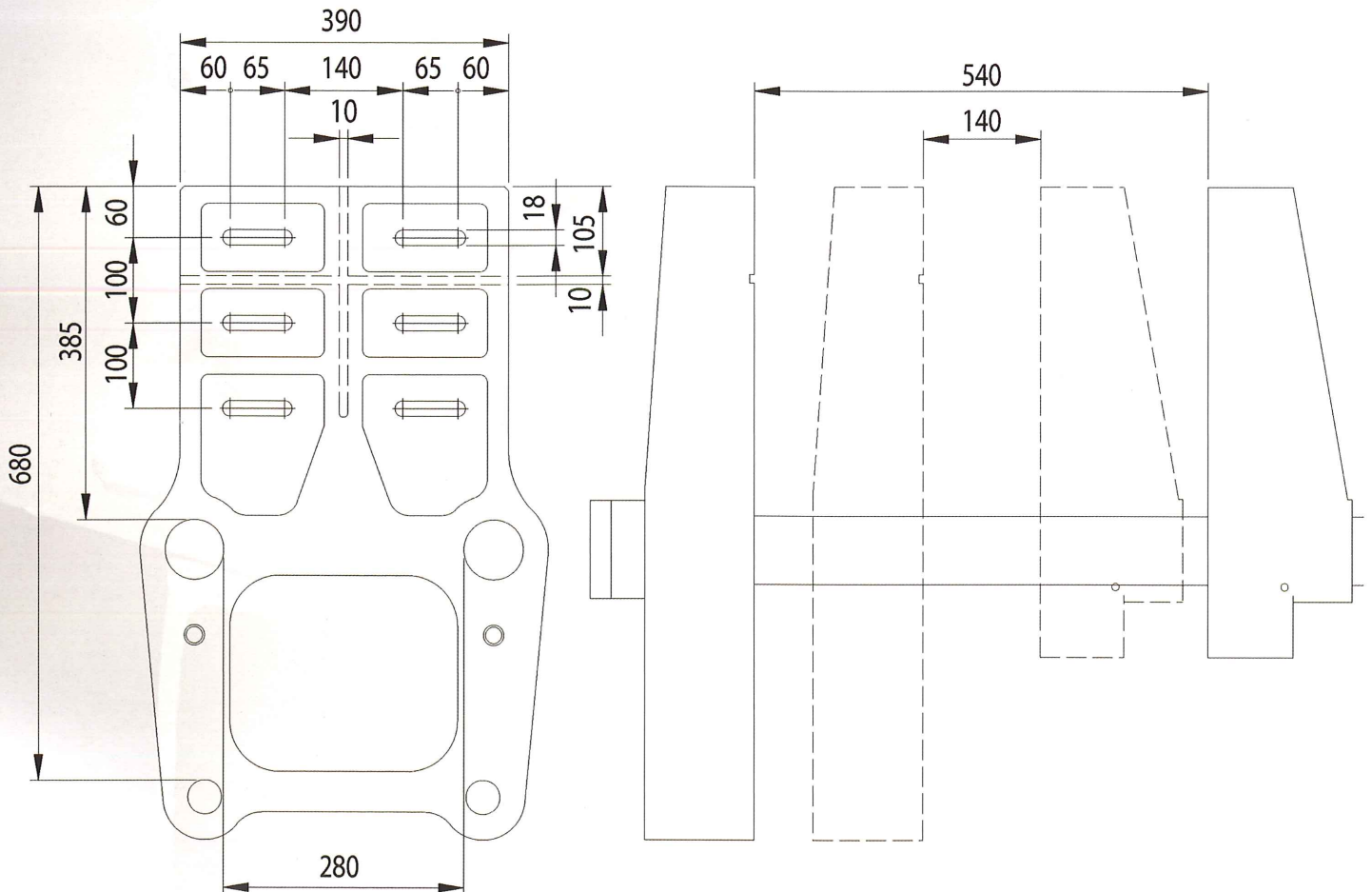
# SPECIFICATIONS

MODEL NO. 型號	UNI 單位	PBS-605S-TRL	PBS-605D-TRL	PBS-605S-QL	PBS-605D-QL	PBS-605S-FL	PBS-605D-FL
Mould center distance 模中心距	mm		160		160		160
Product max. capacity 最大產品容量	C.C.	1000-5000	450-1800	1000-5000	450-1800	1000-5000	450-1800
Min./Max. dia. Of product 產品直徑	mm	75-200	50-110	75-200	50-110	75-200	50-110
		PE · ADHESIVE · EVOH	PE · ADHESIVE · EVOH	PE · PE · ADHESIVE · EVOH	PE · PE · ADHESIVE · EVOH	PE · ADHESIVE · EVOH	PE · ADHESIVE · EVOH
Screw Diameter 螺桿直徑	mm	65 · 35 · 35	65 · 35 · 35	55 · 45 · 35 · 35	55 · 45 · 35 · 35	65 · 35 · 35	65 · 40 · 35
Screw L/D Ratio 螺桿比例		24/1 · 26/1 · 24/1	24/1 · 26/1 · 24/1	24/1 · 24/1 · 26/1 · 24/1	24/1 · 24/1 · 26/1 · 24/1	24/1 · 26/1 · 24/1	24/1 · 26/1 · 24/1
Inverter Motor 變頻馬達	HP	20 · 5 · 5	20 · 5 · 5	15 · 10 · 5 · 5	15 · 10 · 5 · 5	20 · 5 · 5	20 · 7.5 · 5
Capacitor for barrel 料管電容量	KW	6.7 · 2.5 · 2.325	6.7 · 2.5 · 2.325	6.2 · 3.8 · 2.5 · 2.325	6.2 · 3.8 · 2.5 · 2.325	6.7 · 2.5 · 2.325	6.7 · 3.25 · 2.325
Screw Speed 螺桿轉速	r.p.m	20-65	20-65	20-65	20-65	20-65	20-65
Extruding capacity 押出量	Kg/hr	55	55	55	55	55	55
Capacitor for die head 模頭電容量	KW	6	10	7	11	8	12
Clamping Force 鎖模力	Ton	9	9	9	9	9	9
Hydraulic Drive Motor 驅動馬達	HP	15	15	15	15	15	15
Air Pressure 空氣壓力	Kg/cm	6-8	6-8	6-8	6-8	6-8	6-8
Air Consumption 空氣消耗量	L/min	700	700	700	700	700	700
Total Electric Power 總電量	KW	51	55	59	63	53	60
Average Energy Consumption 平均消耗量	KW	40.8	44	47.2	50.4	42.4	48
Machine N.W. 機械淨重	Kg	5,100	5,100	5,100	5,100	5,100	5,100
Machine G.W. 裝箱淨重	Kg	5,800	5,800	5,800	5,800	5,800	5,800

PBS - 605 series

模板尺寸圖

MOLD PLATE DIMENSIONS



# SPECIFICATIONS

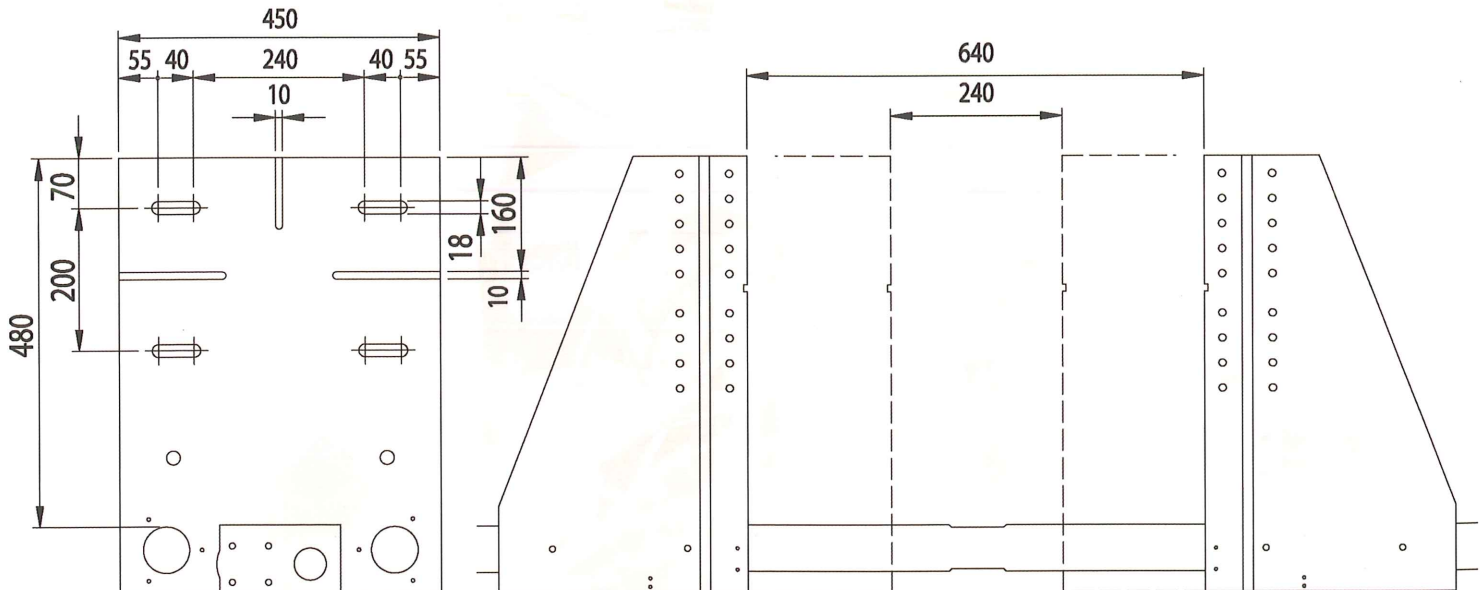
# 規格表

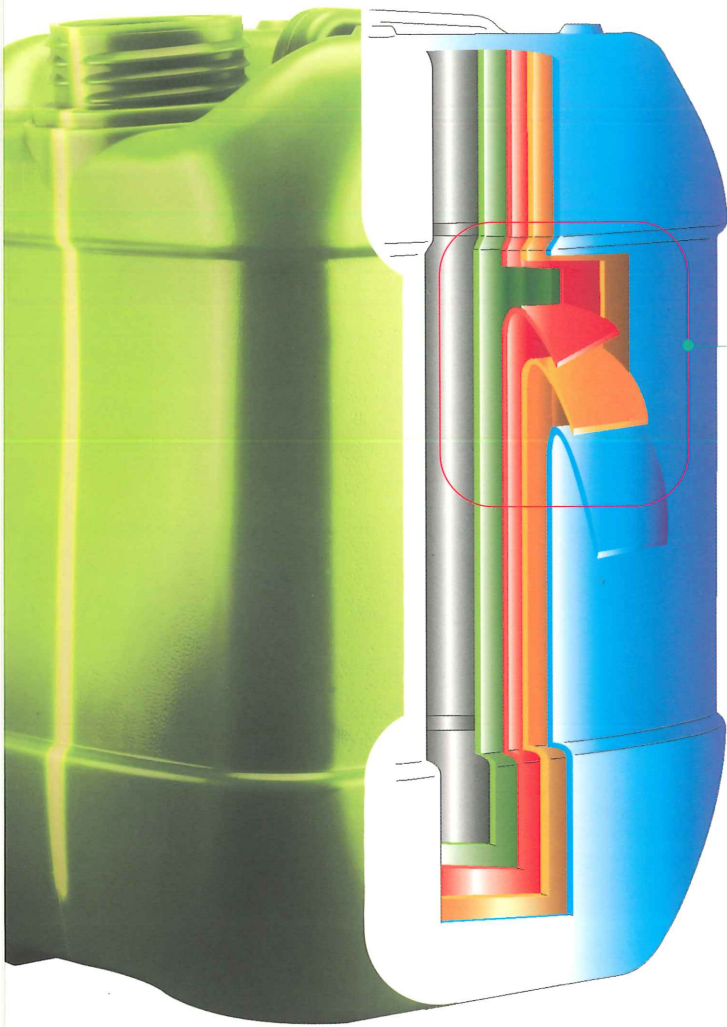
MODEL NO. 型號	UNI 單位	PBS-905S-TRL	PBS-905D-TRL	PBS-905S-TRL	PBS-905D-QL	PBS-905S-FL	PBS-905D-FL
Mould Center Distance 模中心距	mm		250		250		250
Product Max. Capacity 最大產品容量	C.C.	10000-2000	1500-5000	10000-2000	1500-5000	10000-20000	1500-5000
Min./Max. Product Diameter 產品直徑	mm	150-300	120-200	150-300	120-200	150-300	120-200
		PE, ADHESIVE, EVOH	PE, ADHESIVE, EVOH	PE, PE, ADHESIVE, EVOH	PE, PE, ADHESIVE, EVOH	PE, ADHESIVE, EVOH	PE, ADHESIVE, EVOH
Screw Diameter 螺桿直徑	mm	90, 45, 45	90, 45, 45	75, 65, 45, 45	75, 65, 45, 45	90, 45, 45	90, 55, 45
Screw L/D Ratio 螺桿比例		24/1, 26/1, 24/1	24/1, 26/1, 24/1	24/1, 24/1, 26/1, 24/1	24/1, 24/1, 26/1, 24/1	24/1, 26/1, 24/1	24/1, 26/1, 24/1
Inverter Motor 變頻馬達	HP	60, 10, 10	60, 10, 10	40, 20, 10, 10	40, 20, 10, 10	60, 10, 10	60, 15, 10
Capacitor for Barrel 料管電容量	KW	14.1, 4.1, 3.8	14.1, 4.1, 3.8	10, 6.7, 4.1, 3.8	10, 6.7, 4.1, 3.8	14.1, 4.1, 3.8	14.1, 7.3, 3.8
Screw Speed 螺桿轉速	r.p.m	20-65	20-65	20-65	20-65	20-65	20-65
Extruding Capacity 押出量	Kg/hr	130	130	130	130	130	130
Capacitor for Die Head 模頭電容量	KW	12	16.2	13	17.5	14.5	19
Clamping Force 鎖模力	Ton	21	21	21	21	21	21
Hydraulic Drive Motor 驅動馬達	HP	30	30	30	30	30	30
Air Pressure 空氣壓力	Kg/cm	6-8	6-8	6-8	6-8	6-8	6-8
Air Consumption 空氣消耗量	L/min	1500	1500	1500	1500	1500	1500
Total Electric Power 總電量	KW	117	121	120	125	119	131
Average Energy Consumption 平均消耗量	KW	93	97	96	100	95	104
Machine N.W. 機械淨重	Kg	10,600	10,600	10,600	10,600	10,600	10,600
Machine G.W. 裝箱淨重	Kg	12,100	12,100	12,100	12,100	12,100	12,100

PBS - 905 series

模板尺寸圖

MOLD PLATE DIMENSIONS





剖面 Section Plane



**凱美塑膠機械股份有限公司**  
**KAI MEI PLASTIC MACHINERY CO., LTD.**

台灣 台中市太平區永義五街15號  
 NO. 15, YEONG YI 5th ST., TAIPING DISTRICT, TAICHUNG CITY, TAIWAN.  
 TEL: +886-4-2277-7457 FAX: +886-4-2277-7455. 2275-7972  
<http://www.kaimeiplastic.com> • [www.kai-mei.com.tw](http://www.kai-mei.com.tw)  
 E-mail: kaimei@kai-mei.com.tw

**盛美塑膠機械有限公司**  
**SHENG MEI PLASTIC MACHINERY LTD**

廣東省東莞市常平鎮嶺新管理區東大坑工業區  
 DONGDAKENG, SUXIN, CHANGPING  
 DONGGUAN, GUANGDONG, P.R.C.  
 TEL: +86-769-8339-7518. 339-7528. 339-7538  
 FAX: +86-769-8339-7568 郵政編號: 523569